

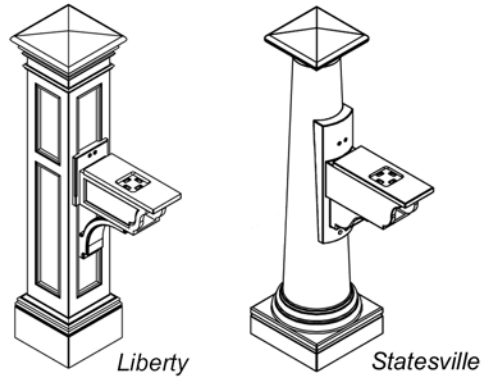
Assembly Instructions #625807100

Liberty / Statesville

MAYNE[®]
Mail Posts of Distinction

Tel: 866-363-8834
Fax: 866-363-8836
Email: info@mayneposts.com

15-Year Limited Warranty
For full warranty details please visit www.mayneposts.com or call us at 866-363-8834



General Information:

- Read instructions carefully before beginning assembly.
- Identify each component from material list.
- Do not use excessive force when assembling components.
- To clean this product, for best results use a soap solution and high-pressure water.
- Missing or defective parts? Please call our customer service department at 1-866-363-8834.

Tools Required:

- Cordless drill
- Phillips drill bit
- 7/16" socket wrench
- Tape measure
- Level
- Shovel

NOT INCLUDED:

- 4x4 wood post
- Mailbox (medium or large mailbox recommended, approx. 5lbs-15lbs)
- Mailbox mounting hardware
- Pre-mix concrete

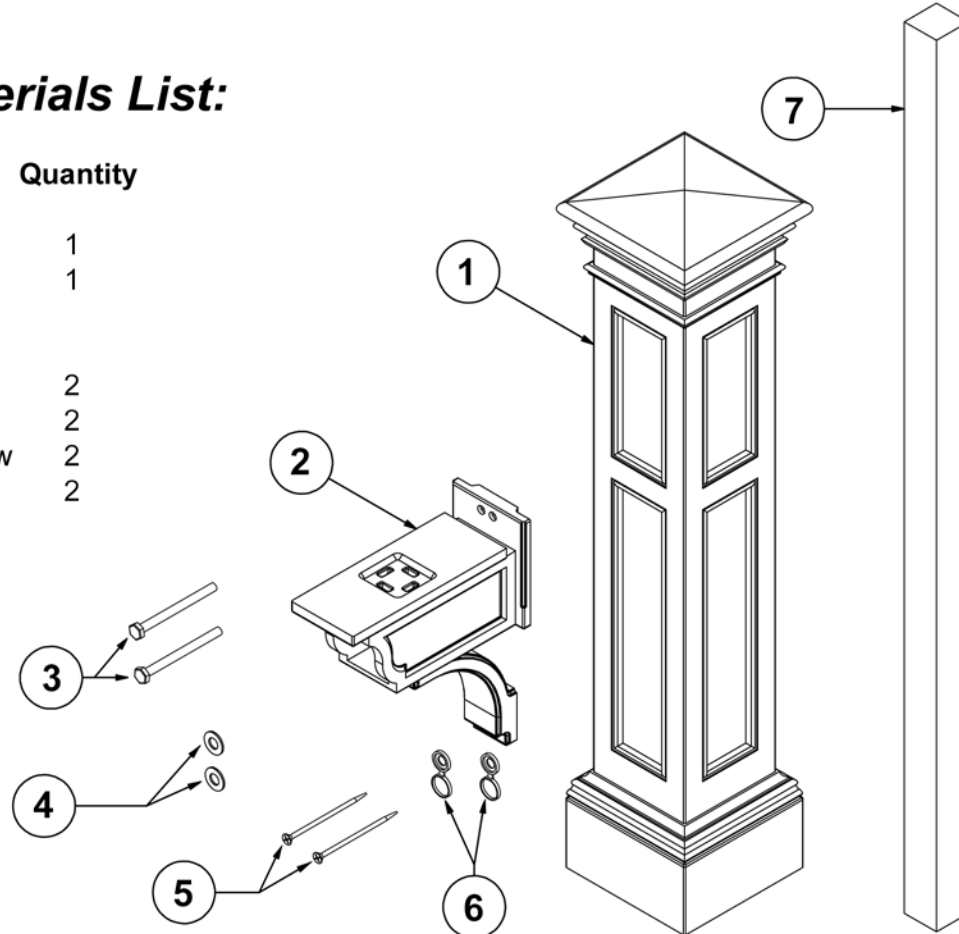
Liberty Mail Post Materials List:

Part #	Description	Quantity
1	Decorative post	1
2	Mailbox arm	1

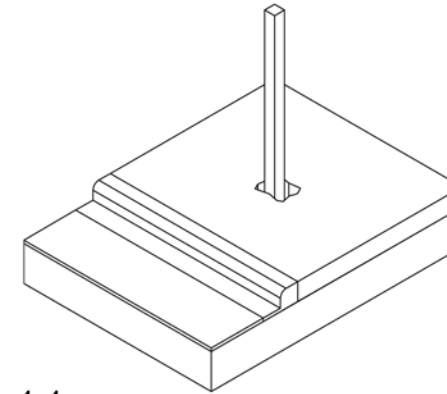
Hardware Pack Includes:

3	1/4" x 3" galvanized lag bolt	2
4	5/16" galvanized flat washer	2
5	#10 x 3" stainless steel screw	2
6	Plastic snap cap	2

7 4x4 Wood Post not included (84" length recommended)

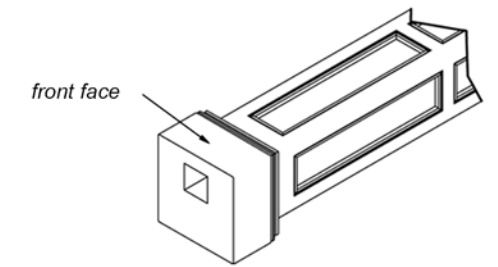


1



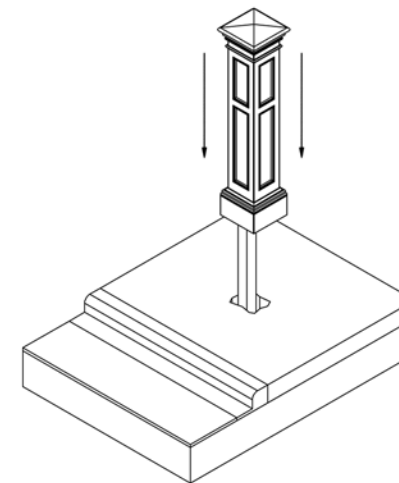
Dig a 36" deep hole in the desired location and insert a 4x4 wood post. Leave 48" exposed above ground. Fill in the hole with pre-mix concrete (not included) and level the wood post. Once the concrete has been given time to cure proceed to STEP 2.

2



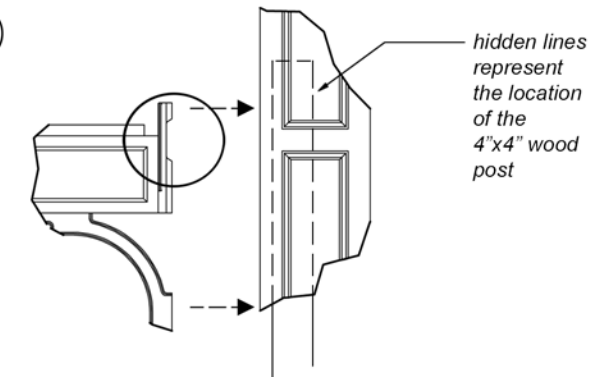
Please note that the pre-cut hole in the bottom of the post is cut closest to the front face of the mail post. This is important since the mailbox arm must be installed on this same face.

3



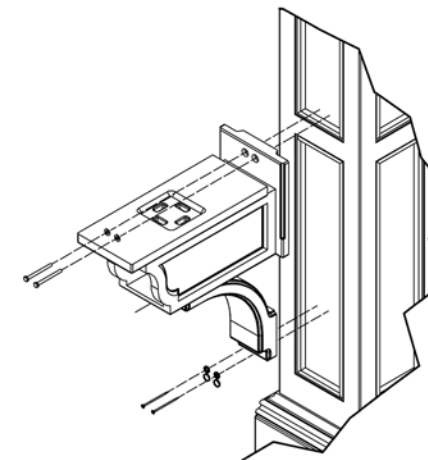
Slip the decorative post (part 1) over the wood post ensuring that the base sits flush with the ground.

4



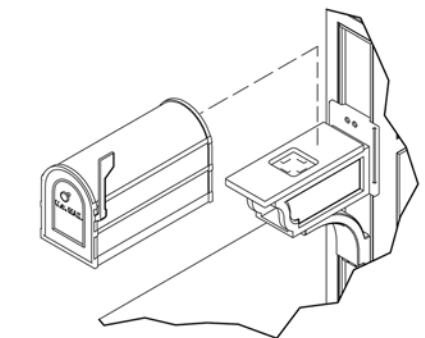
Align the mailbox arm (part 2) with the post as shown above. The arm is notched to fit flush with the inset panels. Notice the location of the wood post. As indicated in STEP 2, the wood post slips inside the decorative post closest to the front face.

5



Use two 3" lag bolts (part 3) with flat washers (part 4) for the top and two 3" screws (part 5) in the bottom of the arm. Plastic snap caps (part 6) are provided to cover the screw heads.

6



Mailbox Installation:

Most mailboxes have 4 holes in the bottom of the box. Mark the location of these holes on the arm and pre-drill using a 3/8" drill bit. Using a nut and bolt combination secure the mailbox to the arm and tighten. 2" bolts are recommended (mailbox and mailbox mounting hardware not included).

Statesville Mail Post Materials List:

Part #	Description	Quantity
1	Decorative post	1
2	Post Cap	1
3	Mailbox arm	1

Hardware Pack Includes:

4	1/4" x 3" galvanized lag bolt	2
5	#10 x 3" stainless steel screw	2
6	Plastic snap cap	2
7	#8 x 1 1/2" stainless steel screw	1
8	4x4 Wood Post not included (82" length recommended)	

Tools Required:

- Cordless drill
- Phillips drill bit
- 7/16" socket wrench
- Tape measure
- Level
- Shovel

NOT INCLUDED:

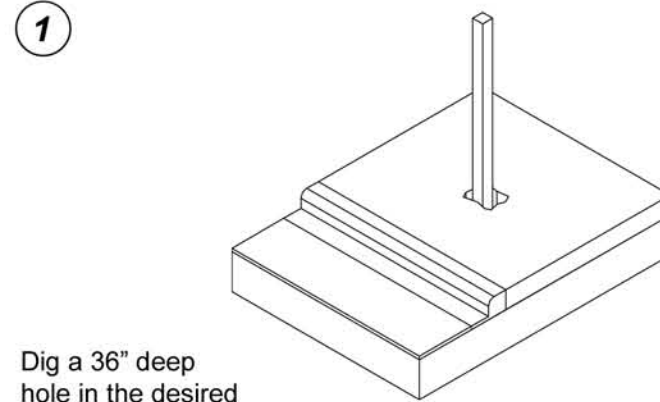
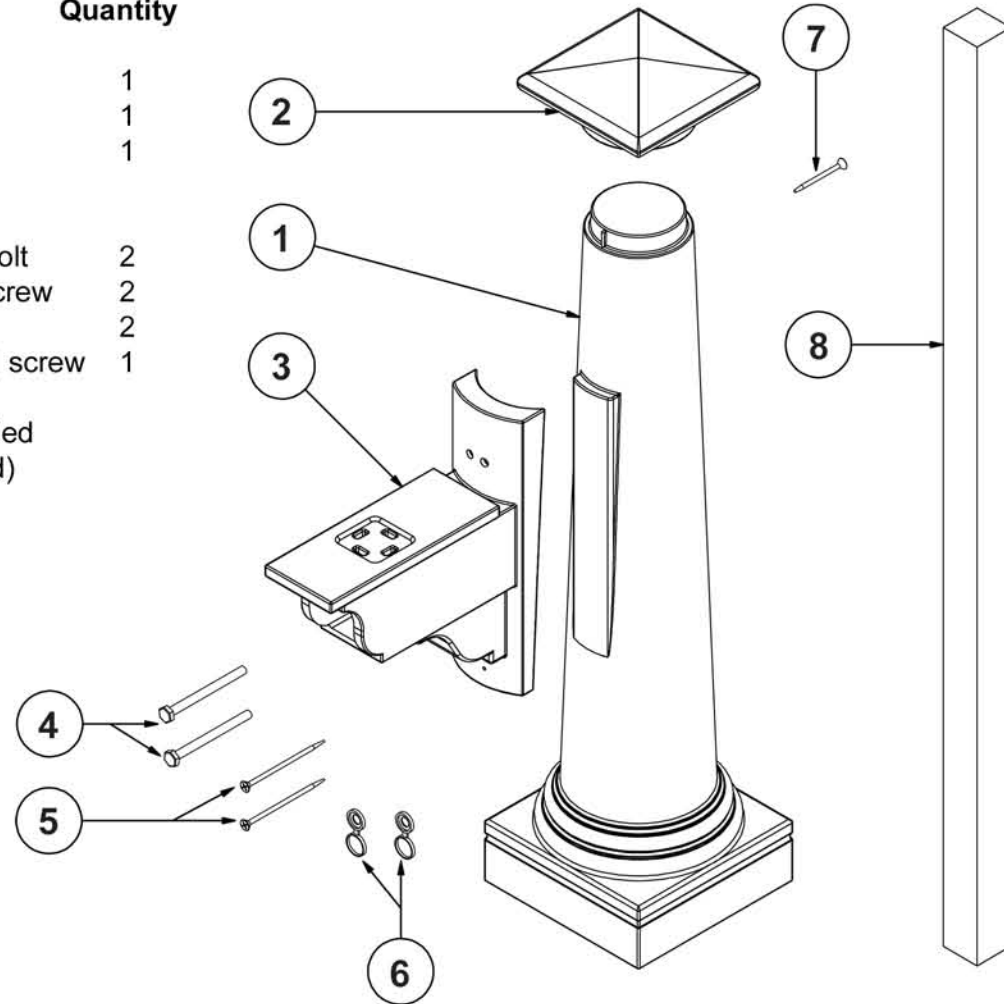
- 4x4 wood post
- Mailbox (medium or large mailbox recommended, approx. 5lbs-15lbs)
- Mailbox mounting hardware
- Pre-mix concrete

Questions?

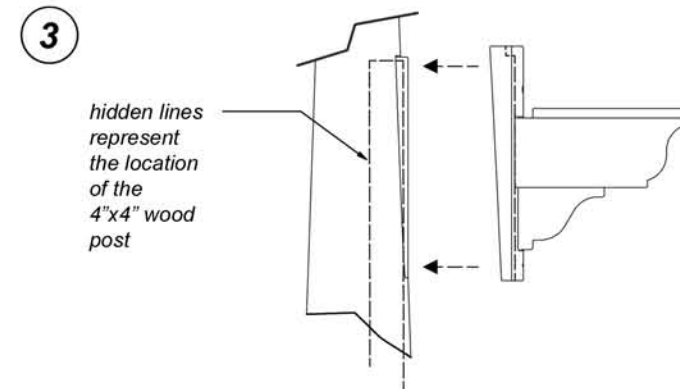
If you have any questions concerning the assembly or installation of this product and require assistance, please call our Customer Service Department at 1-866-363-8834, Weekdays from 8:00am to 4:00pm Eastern standard time.

If you have any comments or suggestions about our product or service, please let us know! Call: 1-866-363-8834, or Email: info@mayneposts.com

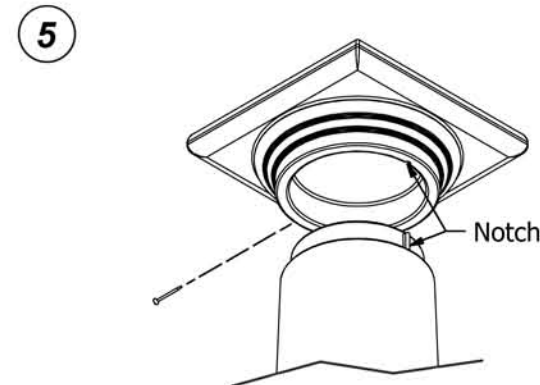
To learn more about us, visit us on the web at www.mayneposts.com.



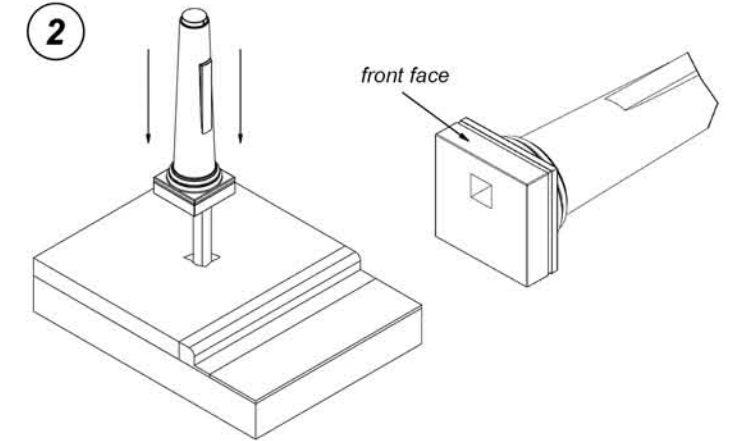
1 Dig a 36" deep hole in the desired location and insert a 4x4 wood post. Leave 46" exposed above ground. Fill in the hole with pre-mix concrete (not included) and level the wood post. Once the concrete has been given time to cure proceed to STEP 2.



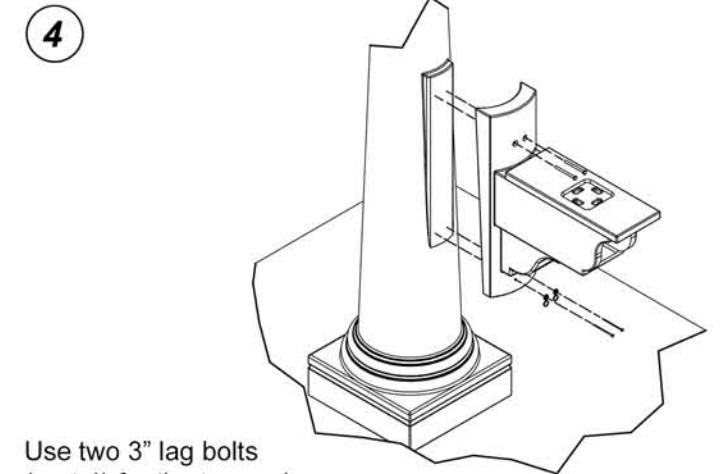
3 Align the mailbox arm (part 3) with the post as shown above. The arm is notched to fit flush against the post. Notice the location of the wood post. As indicated in STEP 2, the wood post slips inside the decorative post closest to the front face.



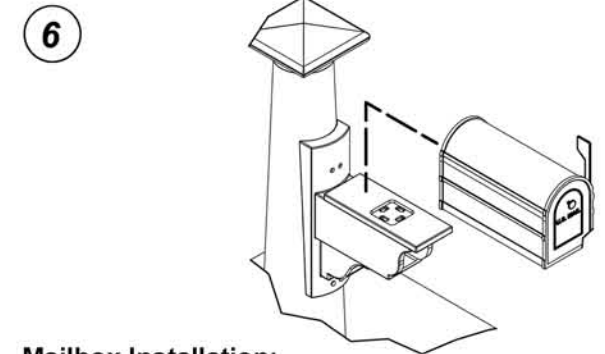
5 Install the post cap (part 2) by aligning the notches. Use the 2" screw (part 7) to secure the cap in place. A starter hole is molded on the rim of the cap to indicate the proper screw location.



2 Slip the decorative post (part 1) over the wood post ensuring that the base sits flush with the ground. Note the hole in the bottom is cut closer to the front face of the post.



4 Use two 3" lag bolts (part 4) for the top and two 3" screws (part 5) in the bottom of the arm. Plastic snap caps (part 6) are provided to cover the screw heads.



Mailbox Installation:

Most mailboxes have 4 holes in the bottom of the box, mark the location of these holes on the arm and pre-drill using a 3/8" drill bit. Using a nut and bolt combination secure the mailbox to the arm and tighten. 2" bolts are recommended (mailbox and mailbox mounting hardware not included).

MAYNE[®]
Mail Posts of Distinction